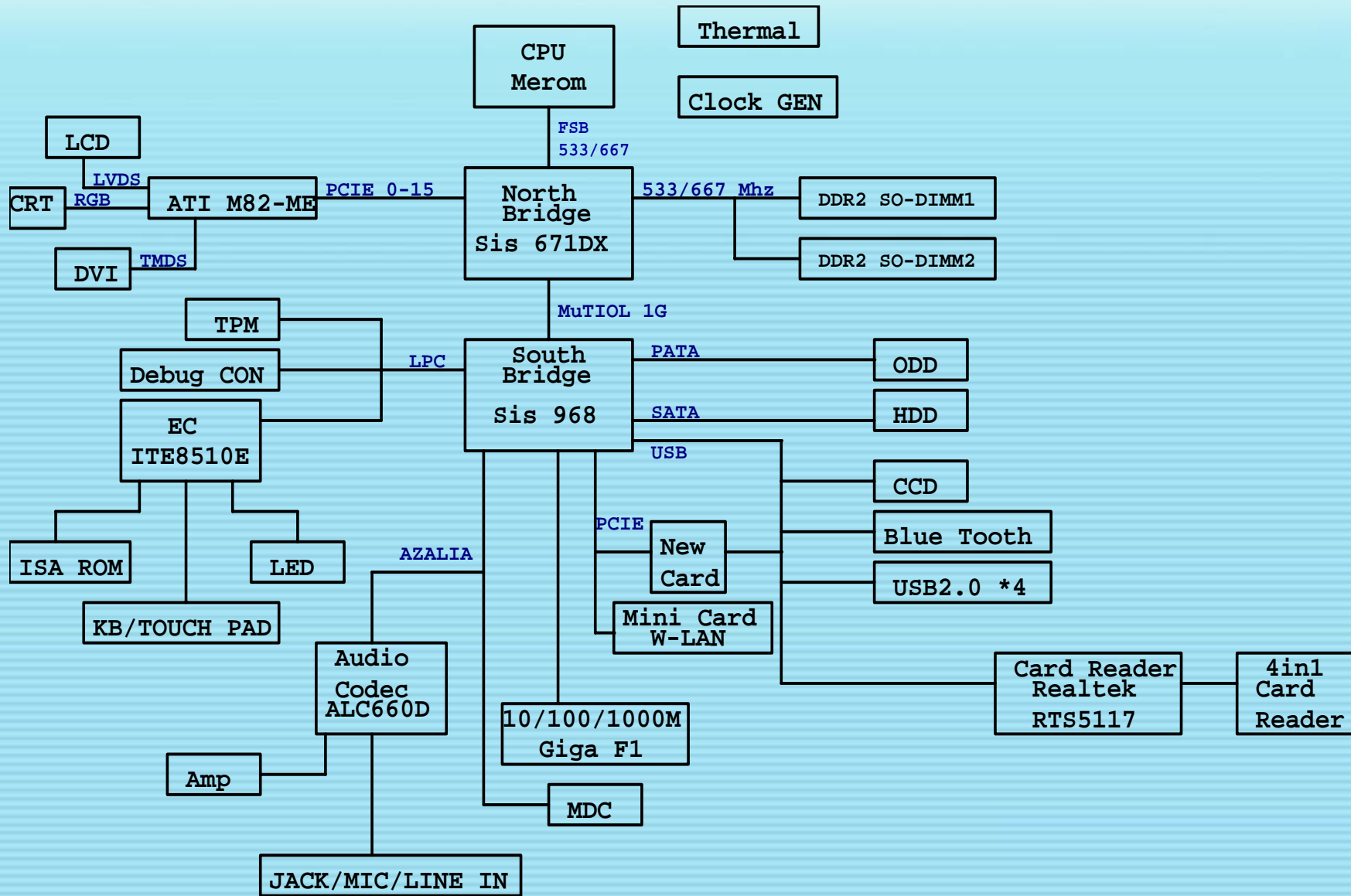

F5SL

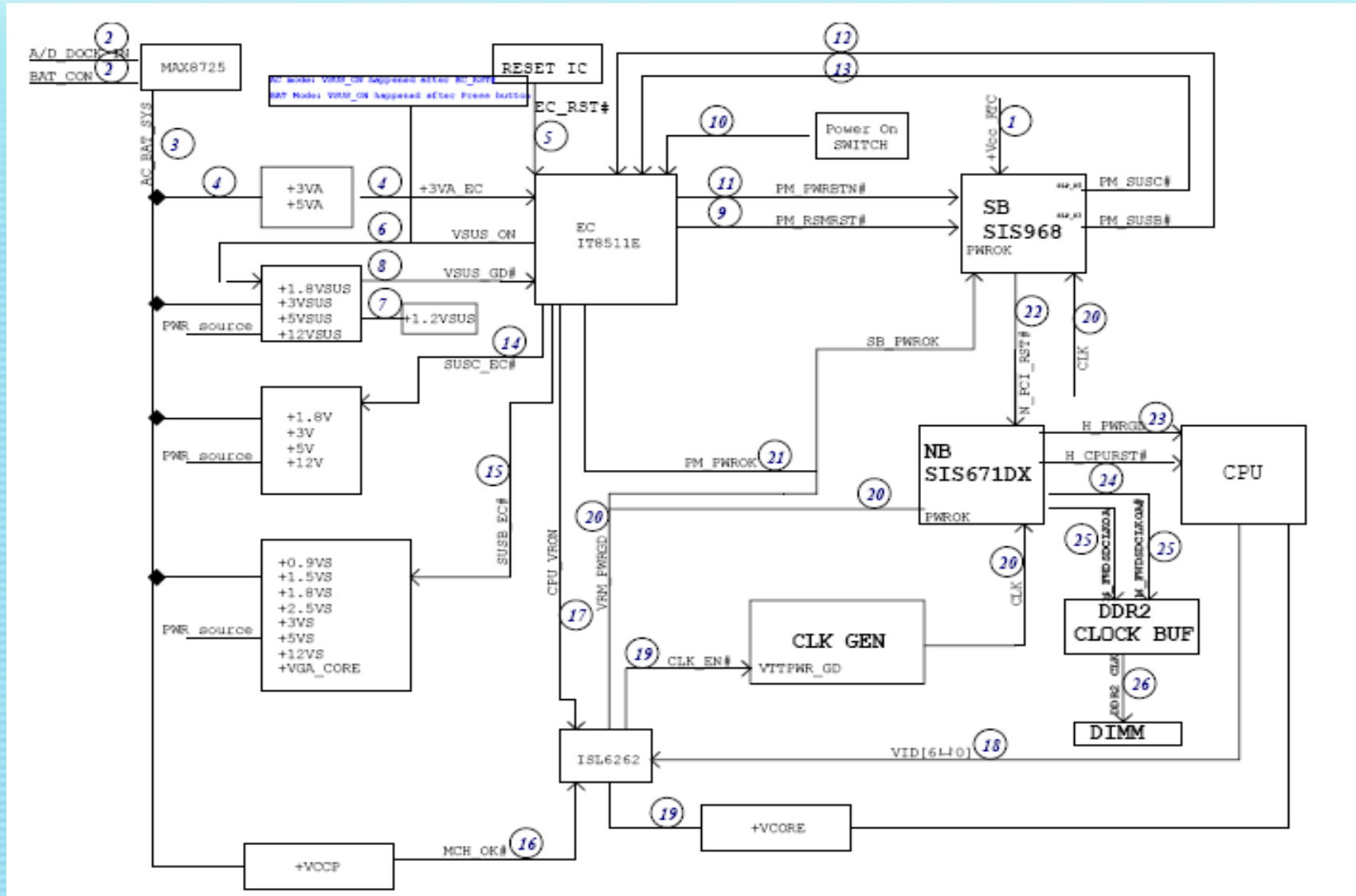
Troubleshooting Guide

(Level 3)

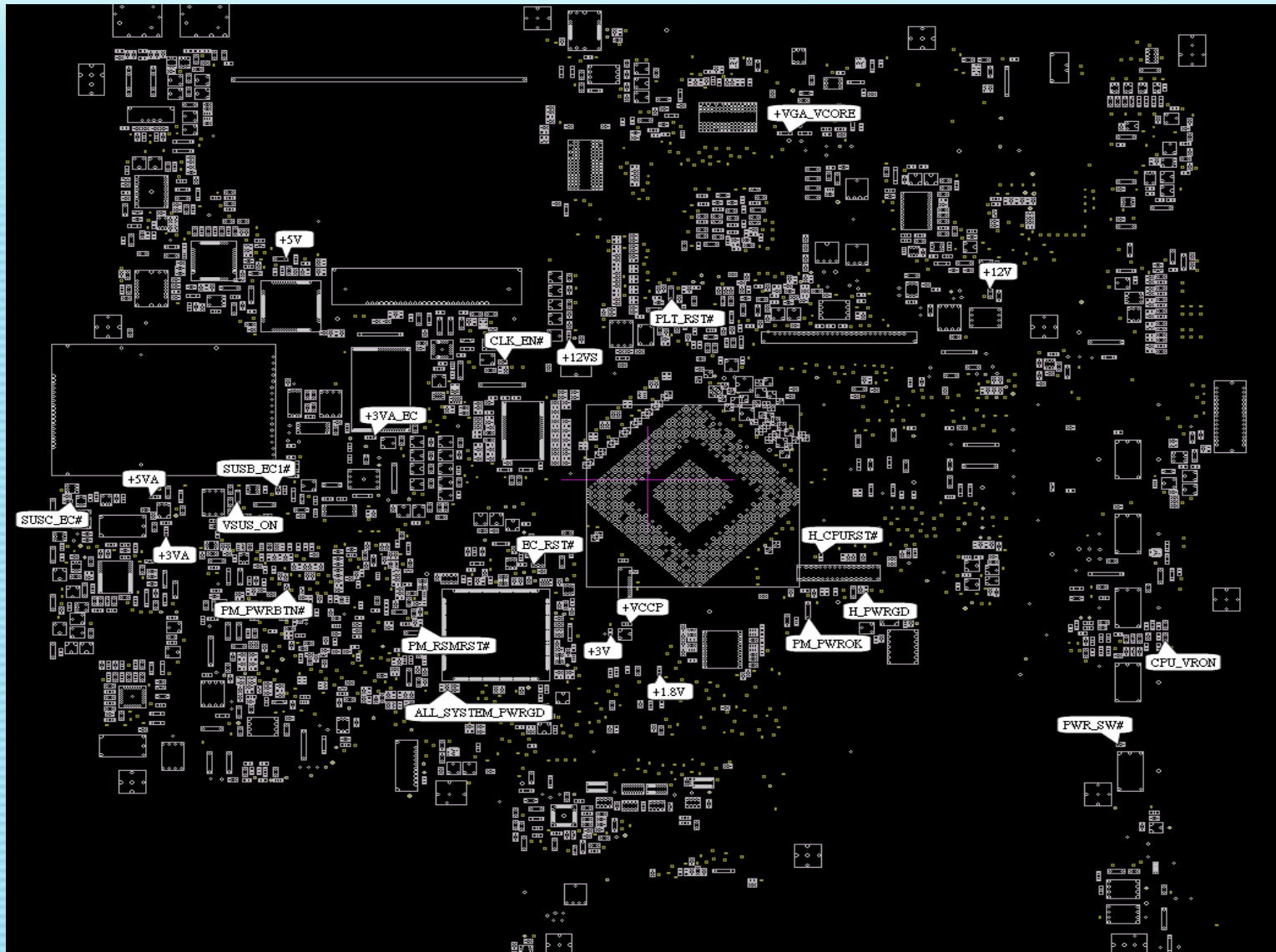
Block Diagram



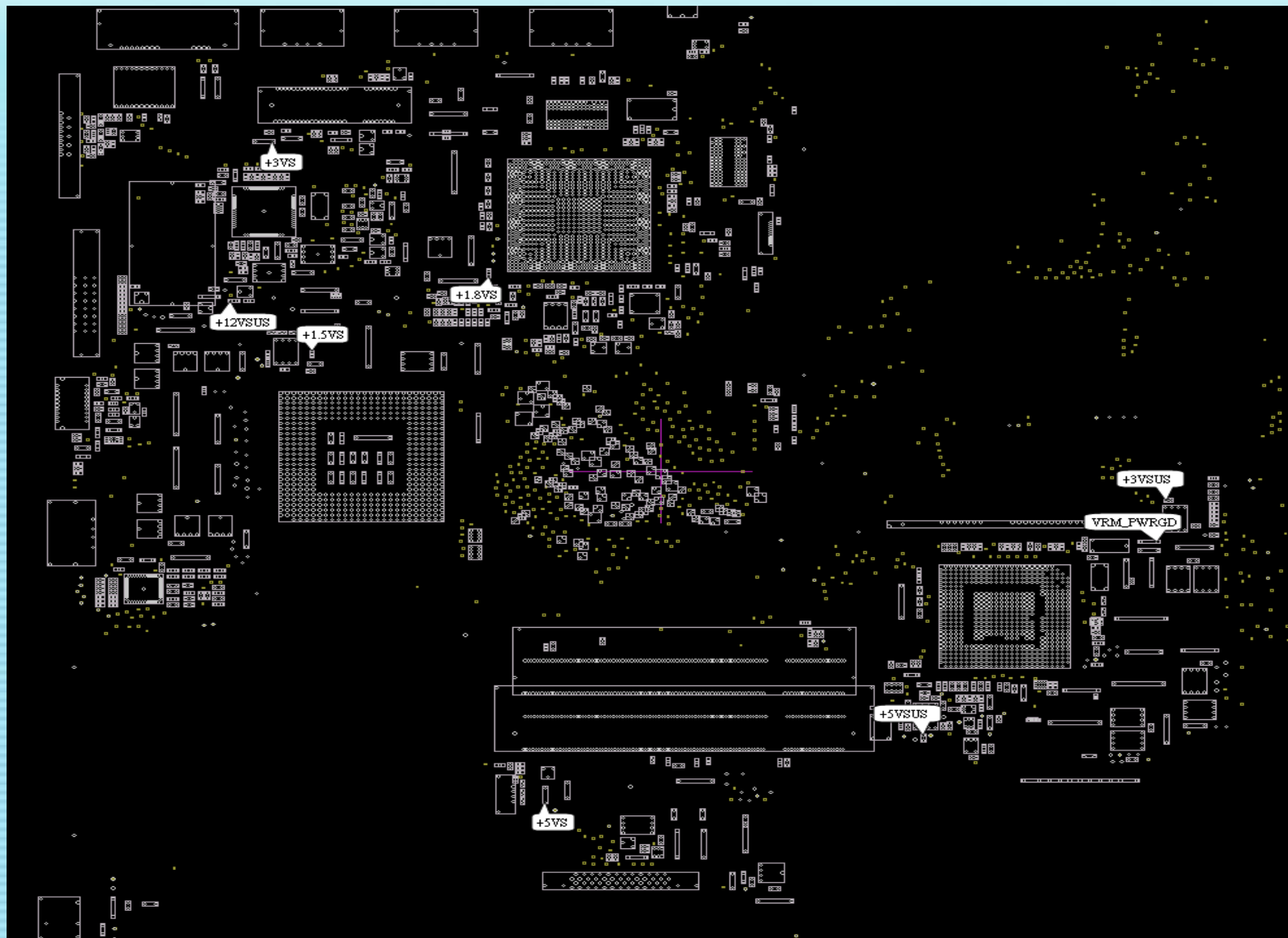
Power On Sequence



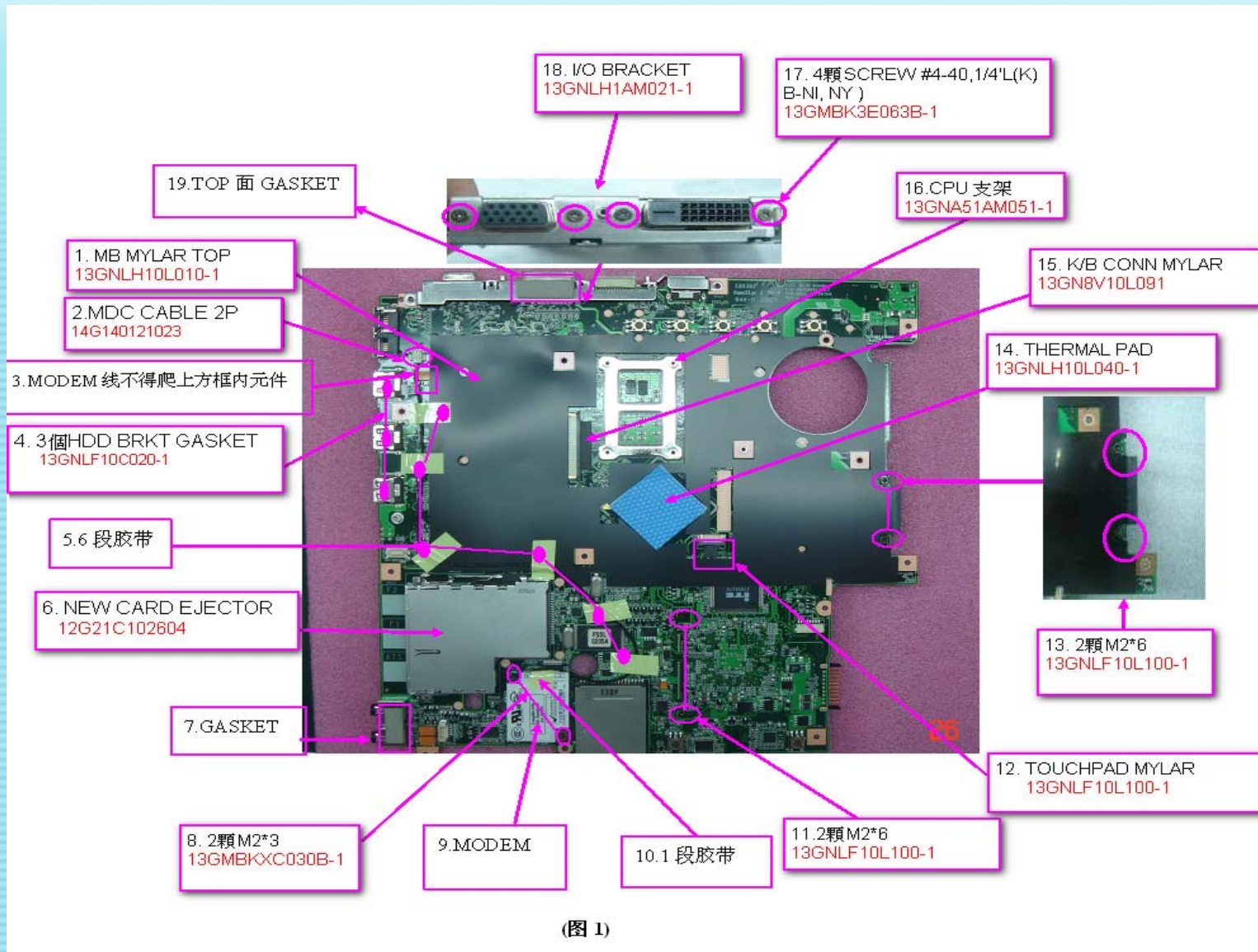
TSICT Voltage Measure -TOP



TSICT Voltage Measure -BOTTOM



Visual Inspection -TOP



Visual Inspection -BOTTOM

